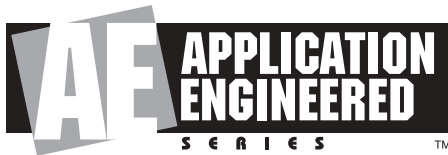




# ASB6128V

## Extended Response, High Output, Dual 18" Subwoofer



### Key Features:

- ▶ 2 x 18" 2258H NDD™ Neodymium Differential Drive® drives in a folded baffle "V"-configuration.
- ▶ Driver motor structures outward for maximum cooling.
- ▶ Large vent area for high output with low distortion.
- ▶ Parallel/Discrete Switchable.
- ▶ Arrays with certain AE Series full-range models (see AE Series Array Guide).

### Applications

- ▶ Performing arts facilities
- ▶ Theatrical sound design
- ▶ Auditoriums
- ▶ Houses of worship
- ▶ Live clubs
- ▶ Dance-clubs/discotheques
- ▶ Sports facilities
- ▶ Themed entertainment venues

ASB6128V is a high power subwoofer system comprised of two 460 mm (18 in) NDD Neodymium Differential Drive low frequency drivers in "V"-loaded configuration. The compact cabinet provides a common height with some of the AE Series full-range loudspeaker models, for easy arrayability of multiple cabinets with the subwoofer in the center. The "V"-loaded baffle provides additional sensitivity in the deep-bass region as well as tighter clustering of drivers for better mutual coupling in arrays. A deep cabinet design allows sufficient internal volume for extended low frequency bandwidth with minimum frontal profile. The rectangular cabinet is fitted with M10 threaded suspension points. Pre-engineered array bracketry is available.

ASB6128V is part of JBL's AE Application Engineered Series, a versatile family of loudspeakers for a wide variety of applications.



### Specifications:

<b>System:</b>	
Frequency Range (-10 dB):	22 Hz – 300 Hz
Frequency Response (±3 dB):	25 Hz – 300 Hz
Input Modes:	Drivers Parallel / Drivers Discrete
Transducer Power Rating (AES):	2400 W (9600 W peak), 2 hrs
Long-Term System Power Rating:	1600 W (6400 W peak), 100 hrs
Maximum SPL:	30 Hz – 100 Hz: 132 dB-SPL cont avg (138 dB peak) 100 Hz – 300 Hz: 136 dB-SPL cont avg (142 peak)
System Sensitivity (dB-SPL, 1W @ 1m):	25 Hz – 80 Hz: 98 dB 80 Hz – 200 Hz: 102 dB
Nominal Impedance:	4 ohms in parallel-drive mode 2 x 8 ohms in discrete-drive mode
<b>Transducers:</b>	
Low Frequency Driver:	2 x JBL 2258H 460 mm (18 in) NDD Neodymium Differential Drive transducers with dual 75 mm (3 in) voice coil
<b>Physical:</b>	
Enclosure:	Rectangular cabinet, 16 mm (5/8 in) exterior grade 11-ply Finnish birch plywood
Suspension Attachment:	13 points (3 top, 3 bottom, 2 each side, 3 rear), M10 threaded hardware
Finish:	Black DuraFlex™ finish. White available upon request.
Grille:	Powder coated 14 gauge perforated steel, with acoustically transparent black foam backing.
Input Connector:	NL4 Neutrik Speakon® and CE-compliant covered barrier strip terminals. Barrier terminals accept up to 5.2 sq mm (10 AWG) wire or max width 9 mm (.375 in) spade lugs. Speakon in parallel with barrier strip for loop-through.
Environmental Specifications:	Mil-Std 810; IP-x3 per IEC529.
Dimensions (H x W x D in vertical cabinet orientation):	967 x 561 x 1215 mm (38.1 x 22.1 x 47.85 in)
Net Weight:	89.8 kg (198 lb)
Optional Accessories:	M10 x 35 mm forged shoulder eyebolts with washers Optional planar array frame kit. See AE Series Bracket Guide

<sup>1</sup>AES standard, one decade pink noise with 6 dB crest factor within device's operational band, free air, standard AES 2 hr rating plus long-term 100 hr rating.

<sup>2</sup>AES standard, one decade pink noise with 6 dB crest factor, in cabinet, long-term 100 hr rating.

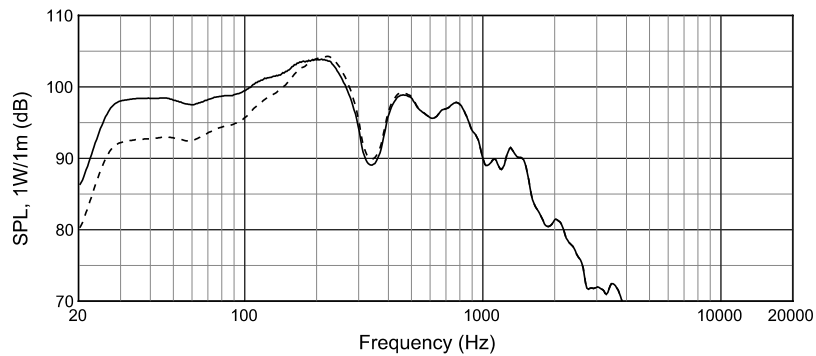
<sup>3</sup>Calculated based on power rating and sensitivity, exclusive of power compression.

<sup>4</sup>Half-space (2p) loading, averaged in specified frequency band.

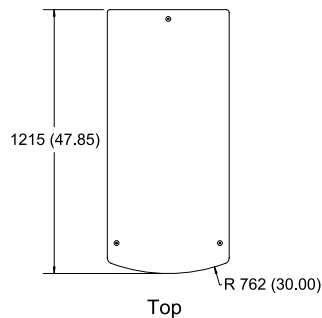
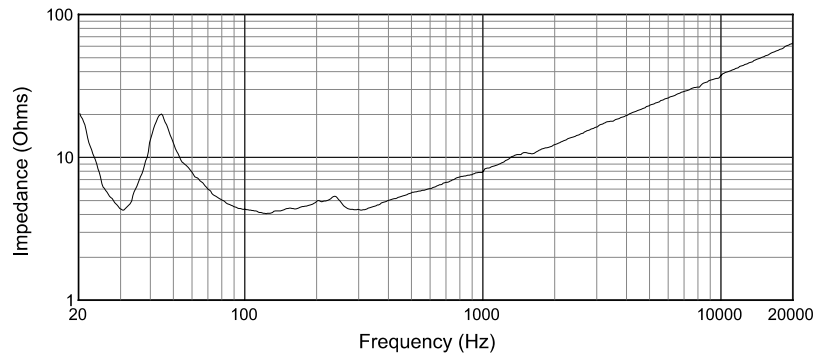
JBL continually engages in research related to product improvement. Changes introduced into existing products without notice are an expression of that philosophy.

## ▶ ASB6128V Extended Response, High Output, Dual 18" Subwoofer

Frequency response is measured on-axis at a distance referenced to 1 m @ 1 watt (2.0 Vrms) input, shown as half-space ( $2\pi$ , solid line) and full-space ( $4\pi$ , dotted line) environment.

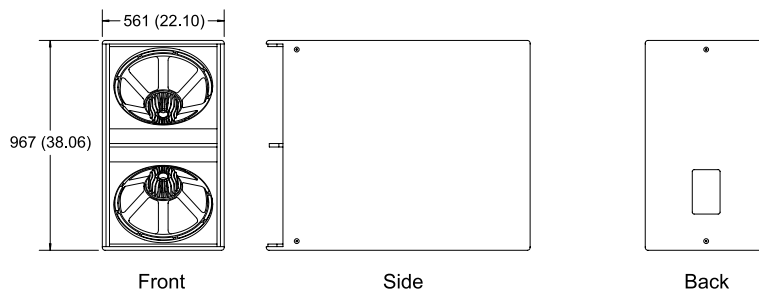


### Electrical Input Impedance



Dimensions in mm (in)

For more detailed dimensional information, refer to Application Data Sheet



JBL Professional  
8500 Balboa Boulevard, P.O. Box 2200  
Northridge, California 91329 U.S.A.

© A Harman International Company  
© Copyright 2002 JBL Professional

SS ASB6128V  
CRP 2.5M  
4/02