



H A Harman International Company

H 500 & H 600

Shock Mount

H 500 Description

The AKG H 500 shock mount is designed for permanent installation of E and ES version gooseneck modules from the Discreet Acoustics Modular series. This mount provides attenuation of structure-borne noise by 12 dB.

The H 500 shock mount consists of a durable plastic shell and flexible inner rubber boot. It allows for quick and easy set up and break down of a sound system. The H 500 requires a mounting hole of 2.0 inches (50 mm).

Features

- Isolation from physical vibration
- Rugged design
- Fast set up
- Economical



H 600 Description

The AKG H 600 shock mount is designed for permanent installation of E and ES version gooseneck modules from the Discreet Acoustics Modular series. This mount provides maximum attenuation of structure-borne noise (20 dB).

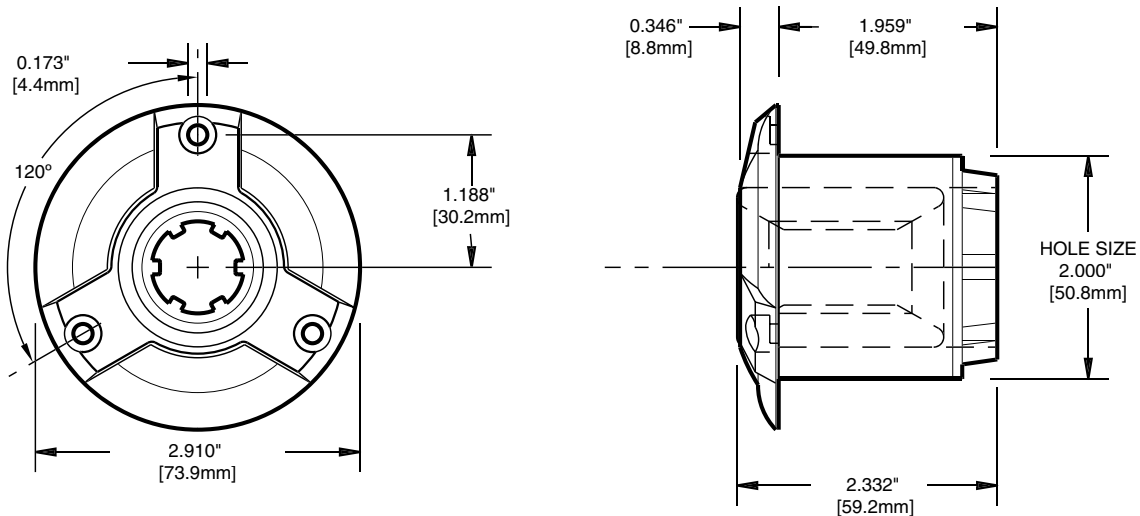
Each mount consists of a durable low profile plastic shell with a flexible inner rubber boot, and, for added security, features a locking clutch that prevents easy removal of the gooseneck module. Included with the H 600 is the A 608 insert. The A 608 grips the narrow section of the gooseneck and allows for custom height adjustments. The H 600 requires a 2.1 inch (53 mm) mounting hole.

Features

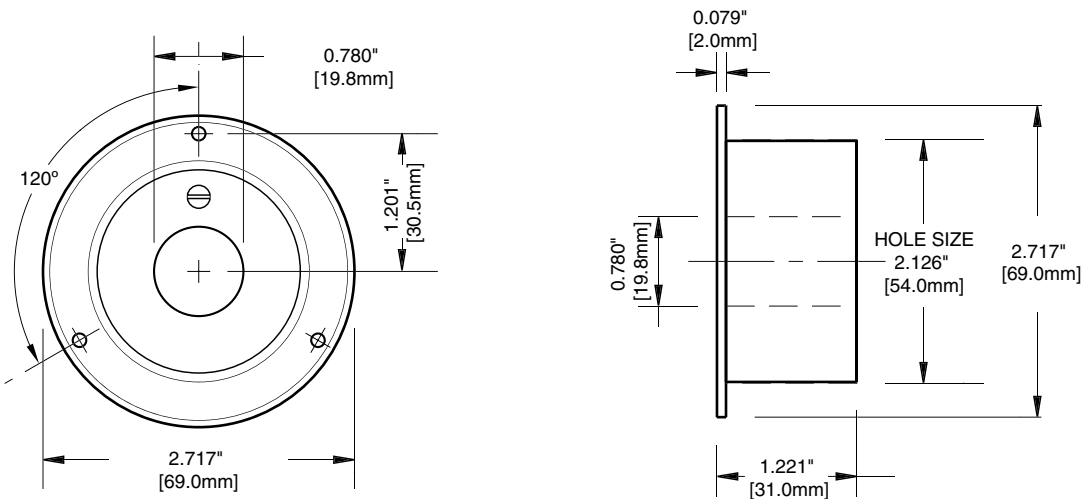
- Isolation from physical vibration
- Custom height adjustment
- Security
- Rugged design



Graphical Data H 500



Graphical Data H 600



AKG is constantly improving and modifying its products, therefore, specifications are subject to change without notice.

Limited Warranty

Valid only in the United States. AKG Acoustics warrants AKG products against defects in material or workmanship for a period of two years from the date of original purchase for use, and agrees to repair or, at our option, replace any defective unit without charge for either parts or labor. Important: This warranty does not cover damage resulting from accident, misuse or abuse, lack of reasonable care, the affixing of any attachment not provided with the product, loss of parts or connecting the product to any but the specified receptacles. This warranty is void unless service or repairs are performed by an authorized service center. No responsibility is assumed for any special, incidental

or consequential damages. However, the limitation of any right or remedy shall not be effective where such is prohibited or restricted by law. Simply take or ship your AKG product prepaid to our service department. Be sure to include your sales slip as proof of purchase date. (We will not repair transit damage under the no-charge terms of this warranty.) Note: No other warranty, written or oral is authorized by AKG Acoustics, Inc. This warranty gives you specific legal rights, and you may also have other rights which vary from state to state. Some states do not allow the exclusion or limitation of incidental or consequential damages or limitation on how long an implied warranty lasts, so the above exclusions and limitation may not apply to you.

Microphones · Headphones · Wireless Microphones · Wireless Headphones · Headsets · Electroacoustical Components



H A Harman International Company

AKG Acoustics GmbH
Lemböckgasse 21-25, P.O.B. 158, A-1230
Vienna/AUSTRIA
Tel: (43 1) 86 654-0*, Fax: (43 1) 86 654-516
Internet: <http://www.ake.com>

AKG Acoustics; A Division of Harman Pro Germany
Bodenseestraße 228, D-81243 München/GERMANY
Tel: (089) 87 16-0, Fax: (089) 87 16-200

Arbiter Pro Audio
Wilberforce Road, London NW9 6AX/ENGLAND
Tel: (0181) 202 1199, Fax: (0181) 202 7076

AKG ACOUSTICS, U.S.
914 Airpark Center Drive
Nashville, TN 37217, U.S.A.
Tel: (615) 620-3800, Fax: (615) 620-3875

Studer Japan Ltd.
2-43-7, Uehara, Shibuya-ku, Tokyo 151-0064/JAPAN
Tel: (813) 3465-2211, Fax: (813) 3465-2214

Erikson Pro Audio
620 McCaffrey, St-Laurent, Quebec, H4T 1N1, CANADA
Tel: (514) 738-3000, Fax: (514) 737-5069
Internet: www.jam-ind.com/eriksonpro