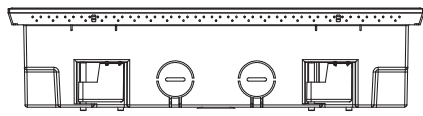
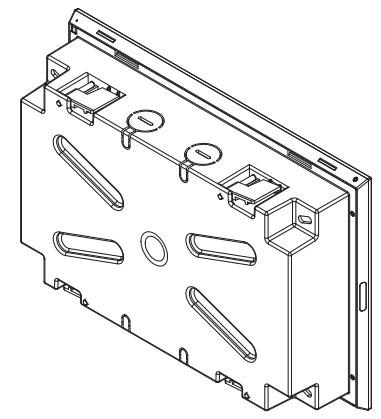
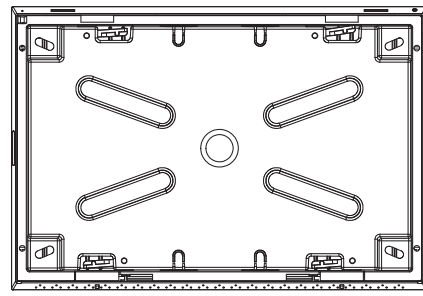
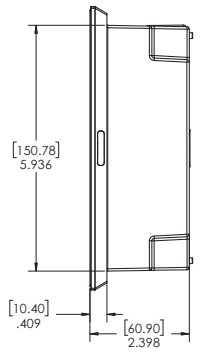
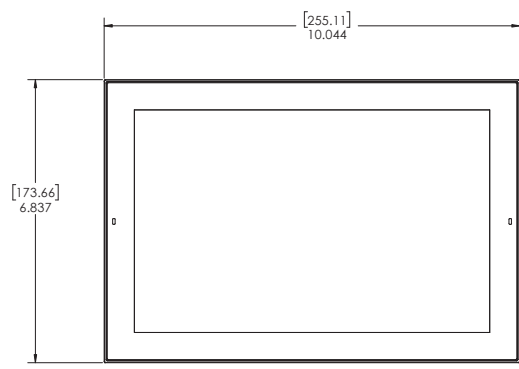
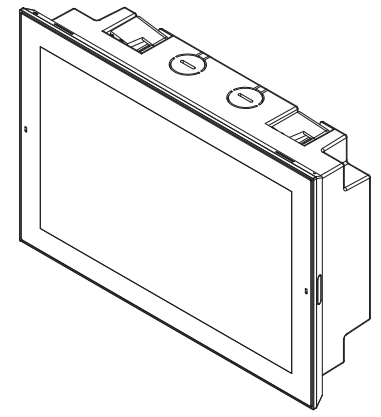
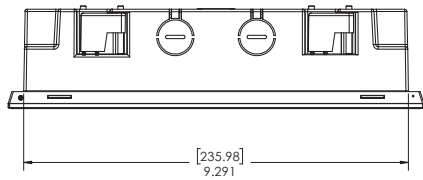


REVISIONS				
REV	ECN	DESCRIPTION	DATE	APPROVED
A	CN82730	INITIAL RELEASE	05/25/18	P. LE
B	CN95091	Replaced 5091463-00/5091464-00 by ECA2265-04/ ECA5968-22	08/24/2018	FRK.ZHENG

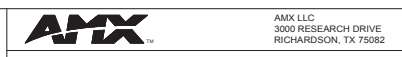


UNLESS OTHERWISE STATED, THE ARTICLE SPECIFIED SHALL BE RoHS 2 COMPLIANT PER EU DIRECTIVE 2011/65/EU

NOTICE: This drawing is the property of AMX LLC. All information contained herein that is not generally known shall be confidential except to the extent the information has been previously established. This drawing may not be copied, reproduced, or used as the basis for manufacture or sale without written permission.

UNLESS OTHERWISE SPECIFIED
 TOLERANCE ON DECIMAL DIMENSIONS: .X = ± 0.1
 .XX = ± 0.01
 .XXX = ± 0.005
 ANGLES = ± 0.5°
 SURFACE FLATNESS .003 TIR PER LINEAR INCH
 ALL DIMENSIONS ARE IN INCHES
DO NOT SCALE DRAWING

THIRD ANGLE PROJECTION



DWG.ASY,MD-1002.10"MODERO E WALL PANEL

SIZE D	DWG. NO. 5095493-00	REV. B
SCALE 2:3	SHEET 1 of 2	