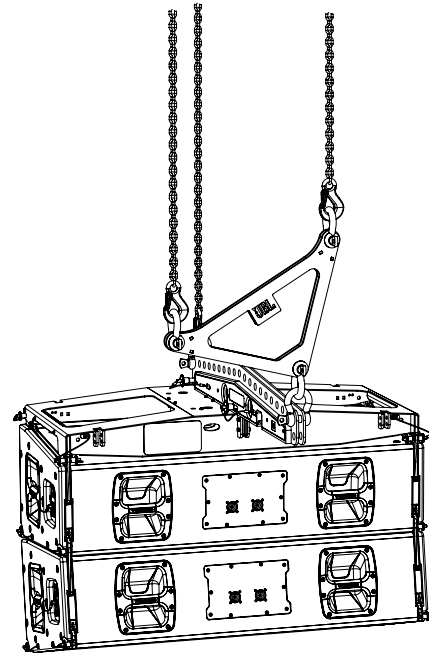
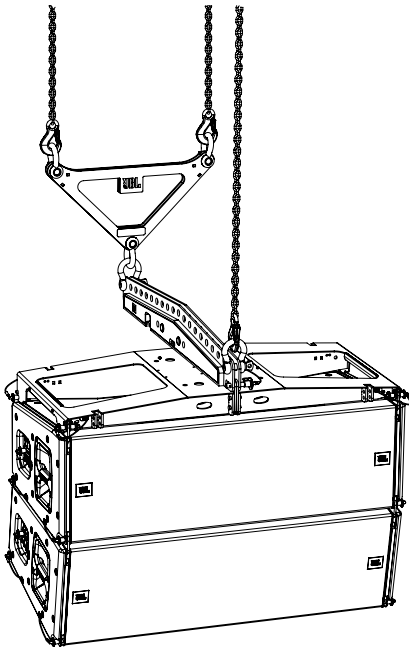


## HIGHLIGHTS

- High-quality universal delta plate accessory
- Support for up to 24 x JBL Line Array enclosures
- Allows for up to +/- 10 degrees of horizontal adjustment
- Lightweight design
- Includes 3 x 5/8" shackles
- Recommended point spacing: 1 meter (3.3')
- Color: black

## DESCRIPTION

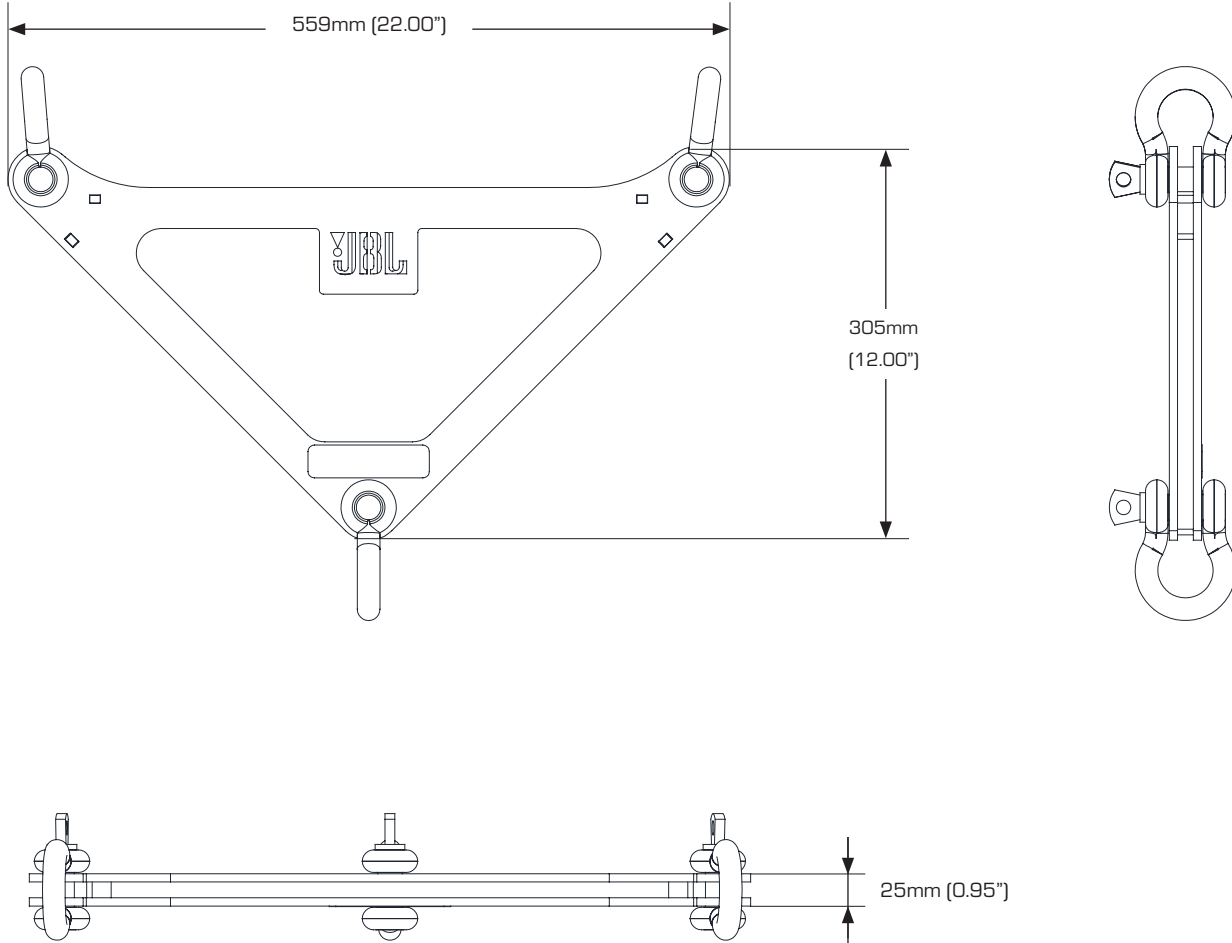
The **VTX Delta Plate** is a rigging accessory used for controlling the horizontal aiming of an array. Two chain motors are attached to the Delta Plate, allowing for adjustments of up to +/- 10 degrees. The **VTX Delta Plate** can be also used to distribute the weight of an array to two points, and the recommended space between the two pick points is 1 meter (3.3'). The **VTX Delta Plate** is compatible with all JBL line array products and it can support the weight of up to 24 enclosures. The **VTX Delta Plate** is made out of high-grade steel and comes with 3 x 5/8" shackles.



## INCLUDED

- 1 x VTX Delta - Rigging delta plate
- 3 x 5/8" Shackles

## DIMENSIONS



## TECHNICAL SPECIFICATIONS

<b>Construction:</b>	Steel with anti-corrosion coating
<b>Finish:</b>	Black Powder Coat
<b>Working Load Limit:</b>	2000 kg (4410 lbs)
<b>Dimensions (H x W x D)<sup>1</sup>:</b>	305.00mm x 559.00 mm x 25.00 mm (12.00 in x 22.00 in x 0.95 in)
<b>Net Weight<sup>2</sup>:</b>	5.2 kg (11.5 lbs)

**Footnotes:**

- 1: Refer to the 2D and 3D Customer Drawings for more detailed dimensions
- 2: Shackles and other rigging parts not included

JBL continually engages in research related to product improvement. Some materials, production methods and design refinements are introduced into existing products without notice as a routine expression of that philosophy. For this reason, any current JBL product may differ in some respect from its published description, but will always equal or exceed the original design specifications unless otherwise stated.