



CBT SERIES

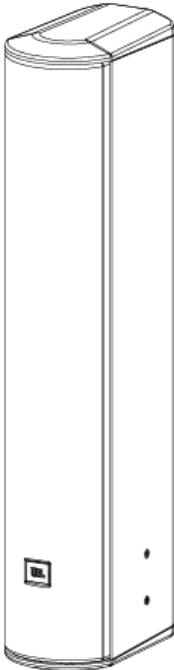
Constant Beamwidth Technology™

CBT 50LA-1 & CBT 100LA-1 Bracket Installation Guide

Rev B - For Swivel (Pan) / Tilt Wall Bracket



CBT 100LA-1

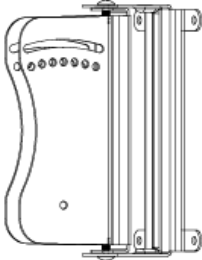


CBT 50LA-1

Included:

SPEAKER BRACKET

**SWIVEL-TILT
WALL BRACKET**



M6-34L



M6-15L



SS Flat washers



M6 nuts



SS Lock washers



switch covers



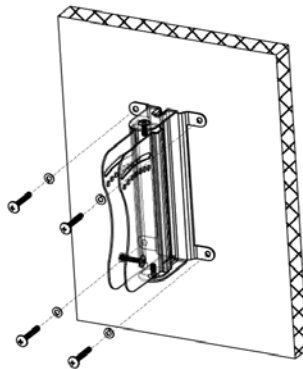
WALL SURFACE MOUNTING

Note that the **BRACKET ASSEMBLY** consists of a **SPEAKER BRACKET** and a **WALL BRACKET**.

- 1) **RUN WIRING** -- Run the wiring from the power amplifier to the location desired for mounting the JBL CBT Loudspeakers.
- 2) **ATTACH WALL BRACKET TO WALL** -- Using a level to ensure that the **WALL BRACKET** is straight, secure the **WALL BRACKET** to the wall. Be sure to use the appropriate wall anchors for attaching the bracket. Use all four screw holes for maximum integrity and safety. Be sure that the slot feature is at the top.

CAUTION: Installation must be done by qualified persons using safe rigging standards.

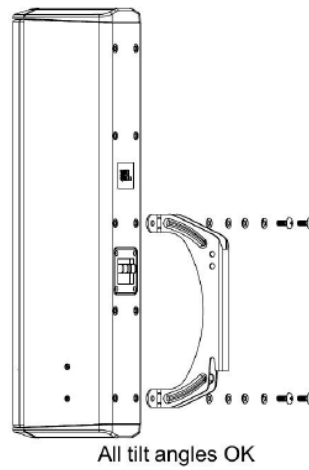
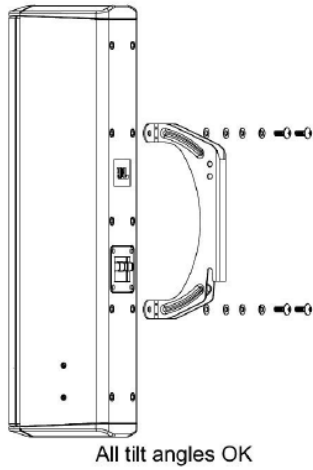
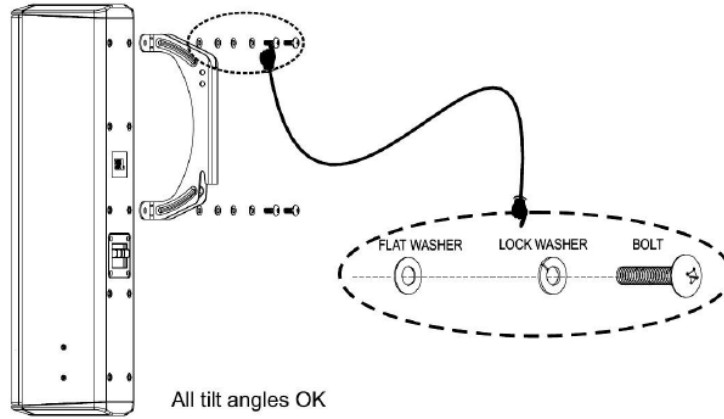
The installer is responsible for proper selection and use of mounting hardware, to properly and safely wall-mount the speakers.



Hardware for attaching **WALL BRACKET** to wall not included.

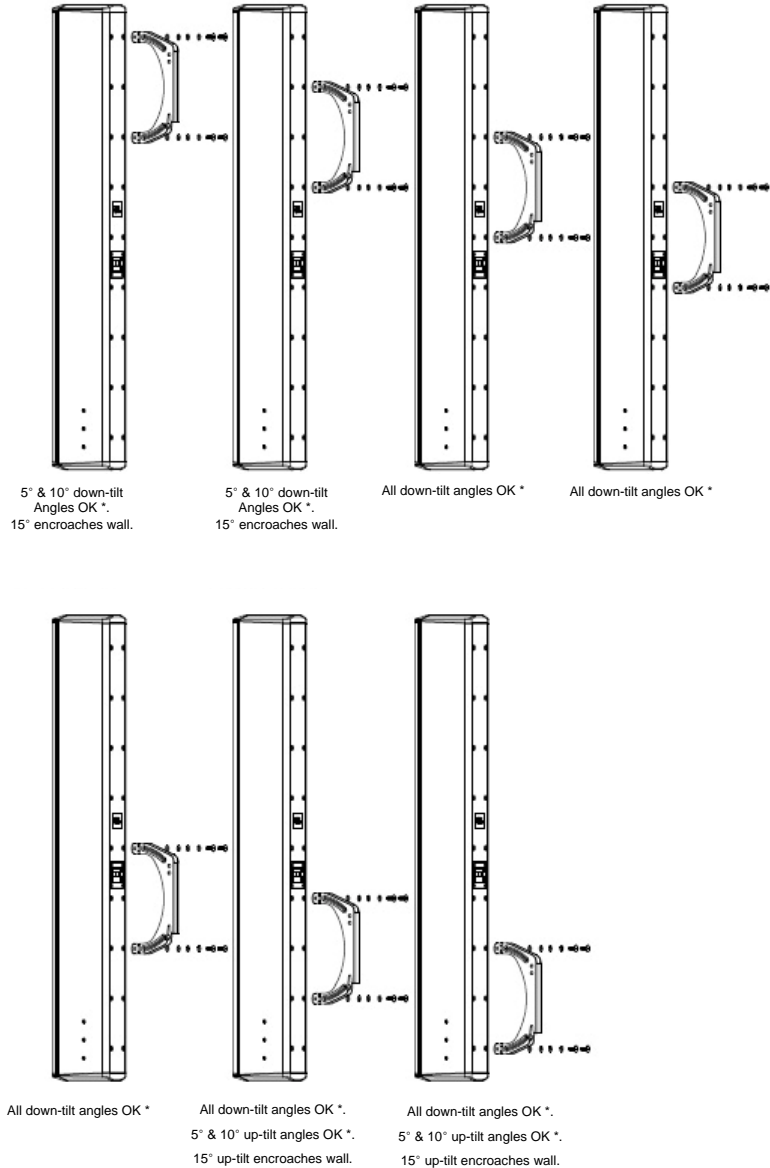
3) ATTACH *SPEAKER BRACKET* TO SPEAKER

3a) CBT 50LA-1 -- Mount the ***SPEAKER BRACKET*** to the speaker with the provided M6-15L pan head bolts, lock washers and flat washers, as shown below. For the CBT 50LA-1 there are three (3) possible mounting position. Choose the one that best suits the application. Be sure the hook feature of the ***SPEAKER BRACKET*** is downward.



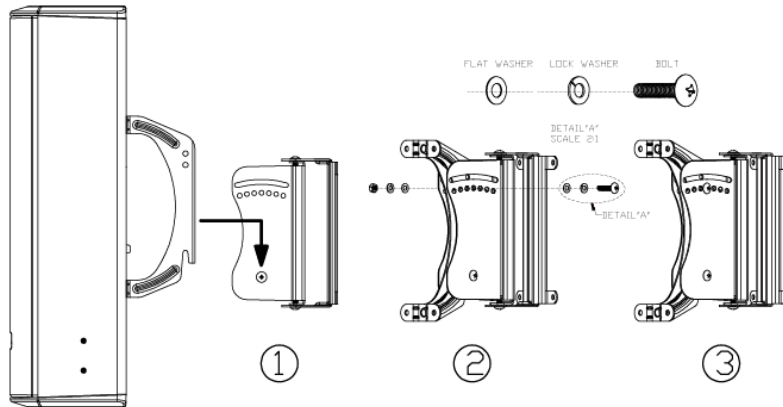
3b) CBT 100LA-1 -- Mount the **SPEAKER BRACKET** to the speaker with the provided M6-15L hardware. For the CBT 100LA-1 there are seven (7) possible mounting position. Choose the one that best suits the application. Be sure the hook feature of the **SPEAKER BRACKET** is downward.

Note the bolt attachment configuration for the SPEAKER BRACKET from the diagram on the previous page.



* Stated tilt angles are with speaker aimed straight ahead – with no side-to-side swivel. For tilt and swivel (pan) angles before wall interference, see "Maximum Swivel Angle Before Wall Interference" chart, later in this guide.

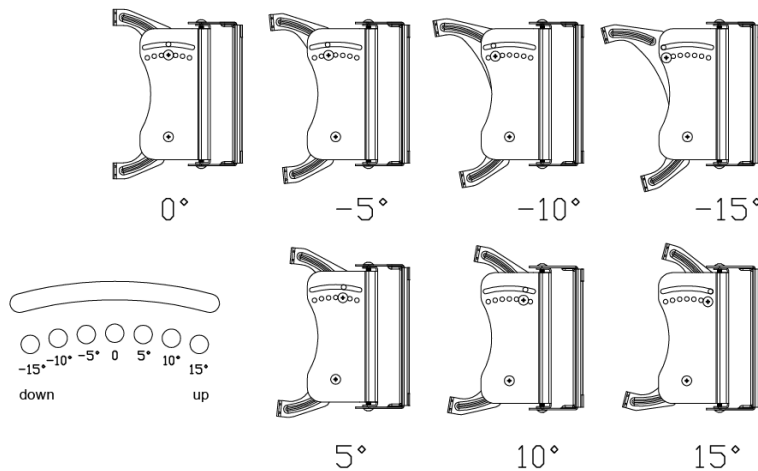
- 4) **SLIDE SPEAKER WITH *SPEAKER BRACKET* ONTO *WALL BRACKET*** -- Once the wall mount has been attached to the wall and speaker mount has been attached to the speaker, slide the speaker forward so that the ***SPEAKER BRACKET*** engages into the ***WALL BRACKET***, dropping the hook slot of the ***SPEAKER BRACKET*** onto the pivot bolt (which will already be installed loosely in the ***WALL BRACKET***).



- 5) **SET THE TILT ANGLE** – Once the speaker has nested securely on the pivot bolt, slide the second M6 34mm bolt into one of the holes in top of the wall bracket to set the angle.

5a) TILT ANGLES -- The bracket allows for +/-15 degrees of tilt. Some of the extreme tilt angles are not recommended because the speaker will run into the wall first.

5b) PRE- SET ANGLES and **CONTINUOUSLY VARIABLE ANGLE** -- The bracket has through holes for mounting angles of +/- 15 degrees in 5 degree increments. There is also a slot above the set of holes for continuously variable adjustment. The pre-set angles are recommended for accurate aiming. Either can be utilized for setting the speaker's tilt angle.



- 5c) SECURE THE ANGLE SETTING** -- Once the angle has been chosen, tighten both bolts with hardware provided.

- 6) **SET THE SWIVEL (PAN) ANGLE** – Loosen the top and bottom bolts on the pivot. Adjust the side-to-side swivel (ie, pan) aiming angle of the speaker. Tighten the bolts securely.

Maximum Swivel Angles before Wall Interference – The bracket swivels a full 90 degrees from side-to-side, however when mounting the CBT speaker onto a wall, the side-to-side swivel is limited by the end of the speaker encountering the wall. The maximum swivel angle depends on: a) which of the speaker’s rear-panel positions the **SPEAKER BRACKET** is mounted to, and b) the *down-tilt* angle setting.

The following chart lists the typical maximum side-to-side swivel angles for some of the possible Speaker Bracket mounting point locations, and for 0°, 5°, 10°, and 15° *down-tilt* angle settings.

Model	SPEAKER BRACKET Mounting Position on Speaker	Maximum Swivel (Pan) Angle at Down-Tilt of:			
		0° Down-Tilt	5° Down-Tilt	10° Down-Tilt	15° Down-Tilt
CBT50LA-1	Top Position	80° Swivel	75° Swivel	72° Swivel	66° Swivel
	Middle Position	80° Swivel	76° Swivel	75° Swivel	73° Swivel
	Bottom Position	80° Swivel	77° Swivel	77° Swivel	75° Swivel
CBT100LA-1	Top-Most Position *	80° Swivel	69° Swivel	34° Swivel	N/A**
	Middle Position *	80° Swivel	74° Swivel	67° Swivel	54° Swivel
	Bottom-Most Position *	80° Swivel	77° Swivel	77° Swivel	75° Swivel

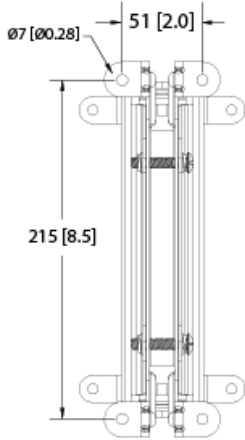
* The in-between mounting positions on CBT 100LA-1 have Maximum Swivel Angles in between those listed.

** The very top bracket position and 15° tilt angle interferes with wall even with no swivel angle.

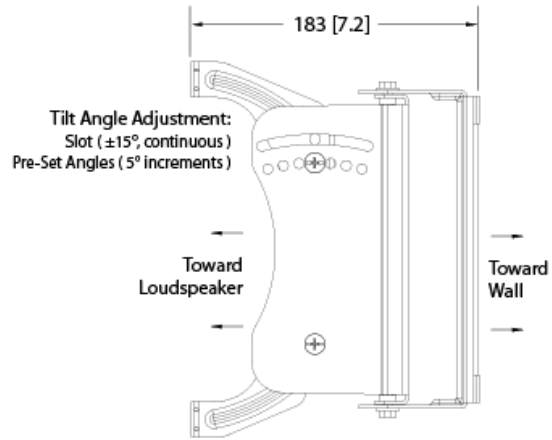
Maximum Swivel Angles in Other Mounting Situations – The bracket itself can swivel up to 90 degrees (side-to-side), so if the speaker is being mounted onto a pole or an outside corner, for example, where interference with a wall may not be a factor, then greater swivel angles than those stated in the above chart may be achieved.

- 7) **SAFETY CABLE** -- Attach a safety cable (not included) to any of the 6 mm inserts on the back of the CBT 100LA/50LA-1 cabinet using one of the extra included M6 mm bolts. Attach the other end of the cable to a secondary attachment point on the wall.
- 8) **SWITCH COVERS** – To discourage tampering with the switch settings, adhesive switch covers are provided. Peel off the backing from the switch cover and stick the cover over the switch shaft, lining up the ridge with the recess in the switch shaft.

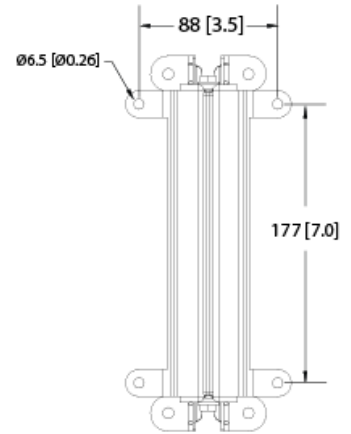
CBT 50LA-1 & 100LA-1 Bracket Dimensions



Loudspeaker-Mount
Section



Assembled Bracket



Wall-Mount
Section



JBL Professional
8500 Balboa Blvd.
Northridge, CA 91355
USA