



CBT SERIES

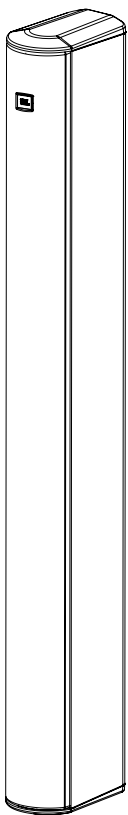
Constant Beamwidth Technology™

CBT 200LA-1

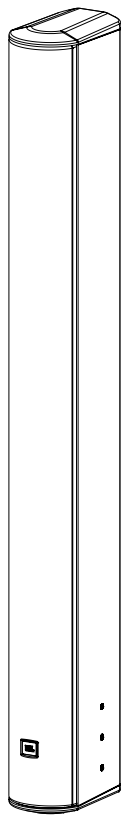
Assembly & Bracket Installation Guide

INCLUDED:

Top Speaker Module



Bottom Speaker Module



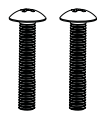
Coupler Plate



M6-20L Flat head



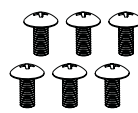
M6-34L



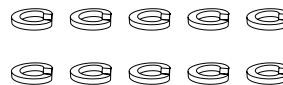
M6-Nuts



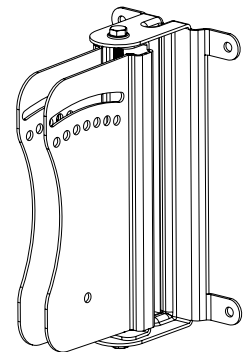
M6-12L



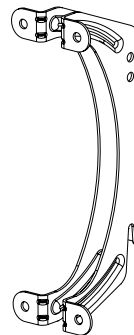
SS Lockwashers



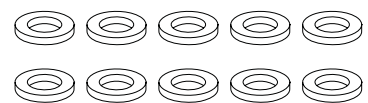
Swivel-Tilt Wall Bracket



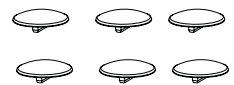
Speaker Bracket



SS Flatwashers



Switch covers



[Not shown to relative scale]

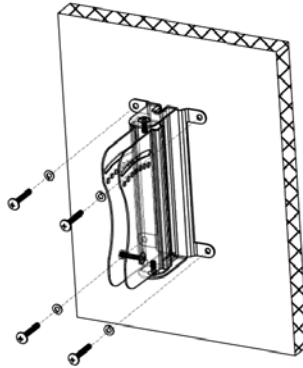
WALL SURFACE MOUNTING

Note that the **BRACKET ASSEMBLY** consists of a **SPEAKER BRACKET** and a **WALL BRACKET**.

- 1) **RUN WIRING** -- Run the wiring from the power amplifier to the location desired for mounting the JBL CBT Loudspeakers.
- 2) **ATTACH WALL BRACKET TO WALL** -- Using a level to ensure that the **WALL BRACKET** is straight, secure the **WALL BRACKET** to the wall. Be sure to use the appropriate wall anchors for attaching the bracket. Use all four screw holes for maximum integrity and safety. Be sure that the slot feature is at the top.

CAUTION: Installation must be done by qualified persons using safe rigging standards.

The installer is responsible for proper selection and use of mounting hardware, to properly and safely wall-mount the speakers.

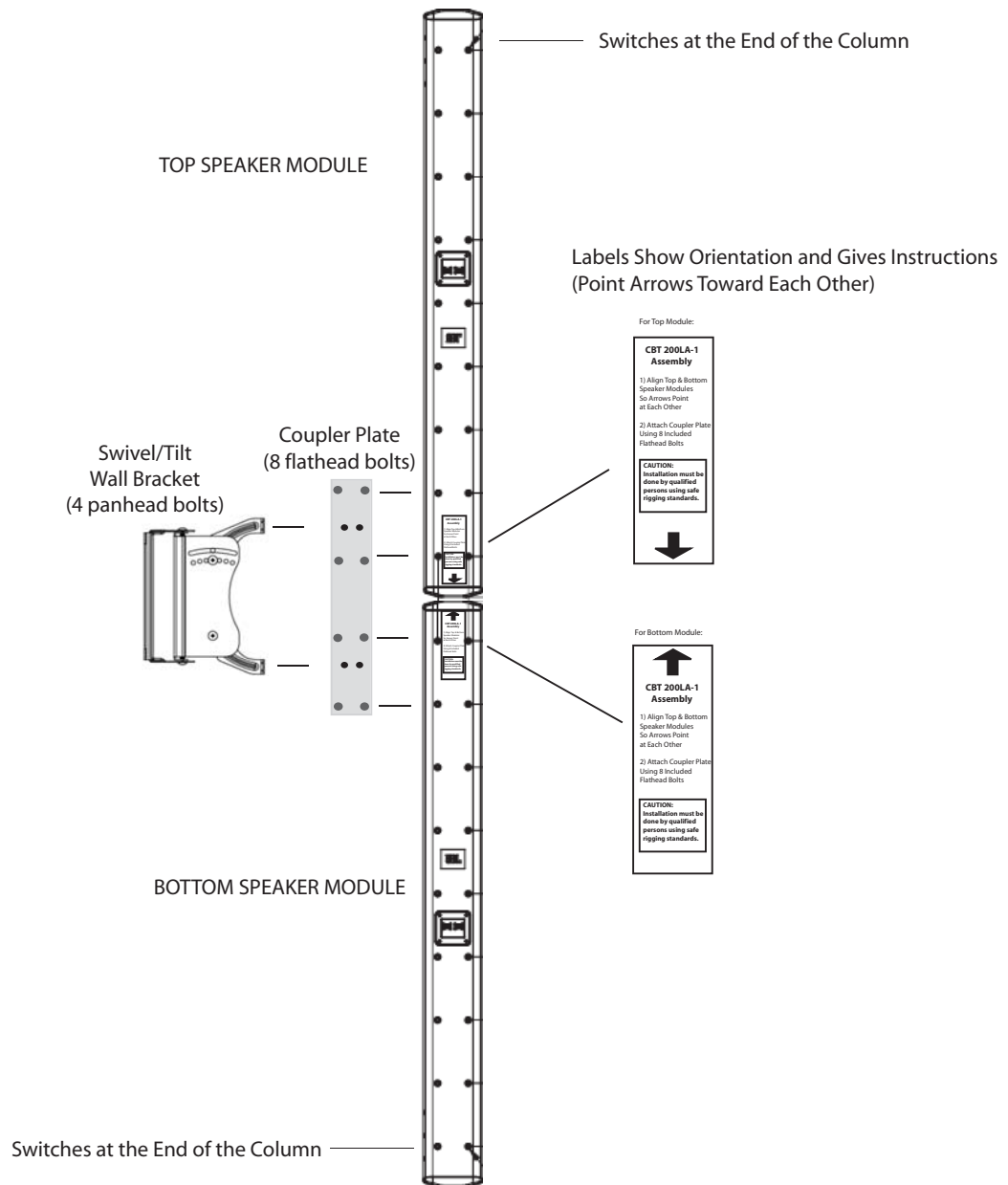


Hardware for attaching **WALL BRACKET** to wall not included.

3) ORIENTING TOP & BOTTOM SPEAKER MODULES

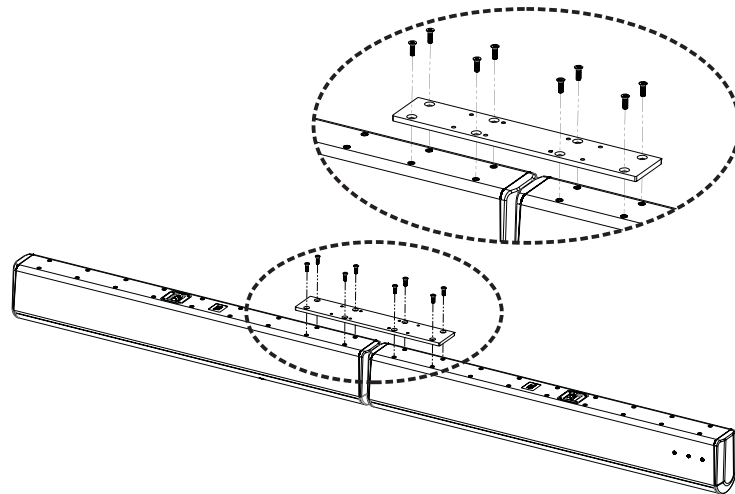
This drawing shows the proper orientation of the two speaker modules, where the coupler plate attaches and where the wall bracket attaches (onto the coupler plate).

IMPORTANT: Note that the speaker will not work correctly if the TOP AND BOTTOM SPEAKER MODULES are not oriented exactly as shown.



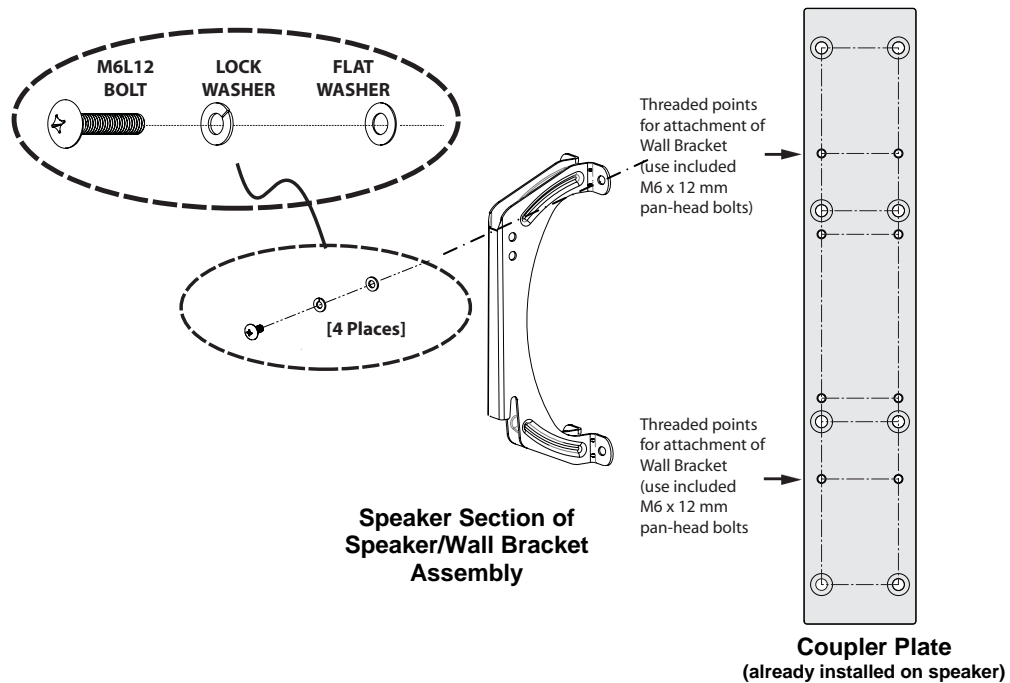
4) CONNECT SPEAKER MODULES TOGETHER VIA COUPLER PLATE

Attach **COUPLER PLATE** to the **TOP AND BOTTOM SPEAKER MODULES**, as shown, with 8 pcs of M6-20L flathead bolts, through to **TOP AND BOTTOM SPEAKER MODULE'S** rear cabinet insert points.



5) ATTACH SPEAKER BRACKET TO 4 THREADED HOLES ON COUPLER PLATE

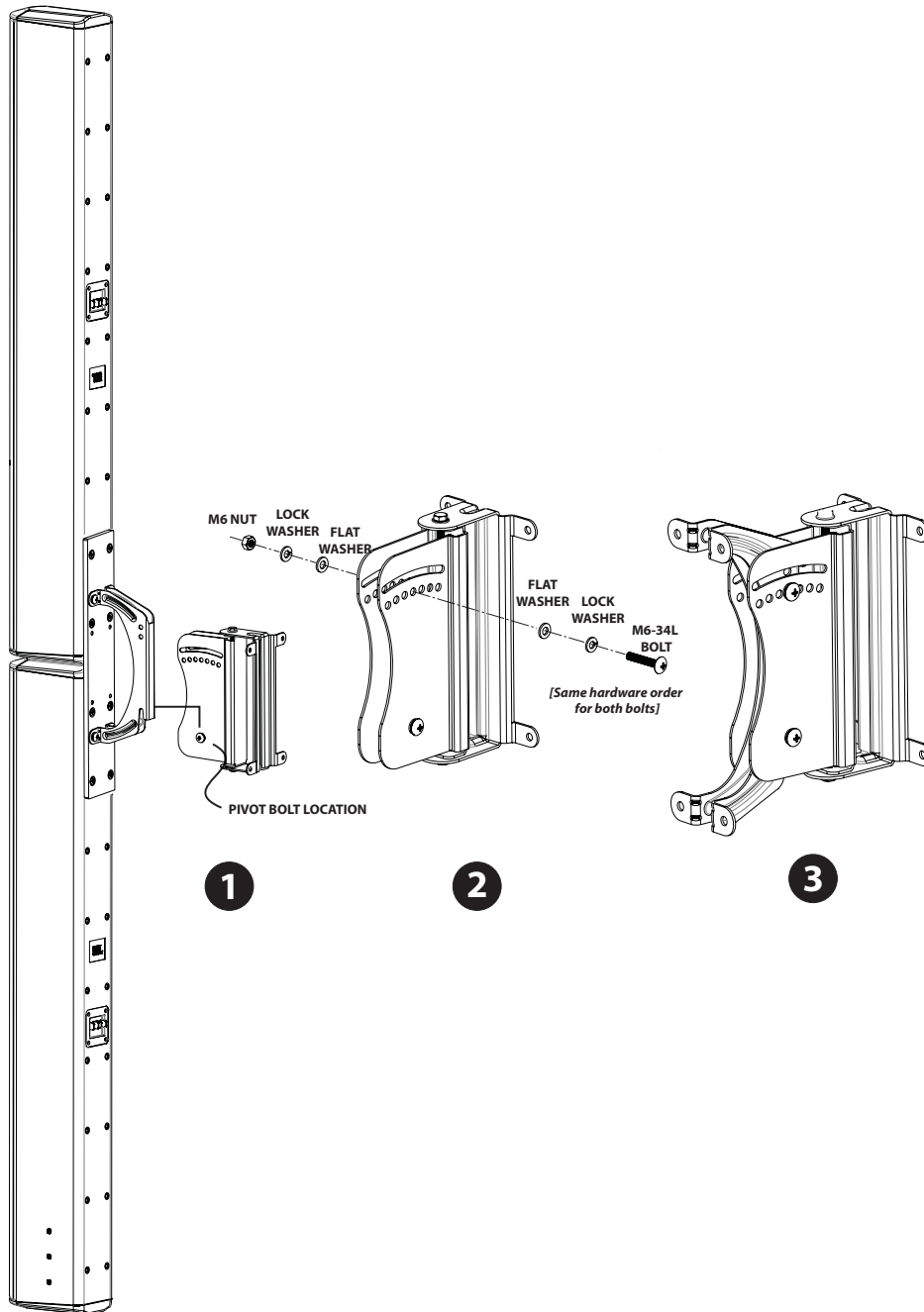
Attach Speaker Bracket to the 4 indicated threaded points on the Coupler Plate using the included M6-12L (6 mm diameter, 12 mm long) bolts, with lock washers and flat washers.



IMPORTANT: Because of the height of this speaker, the speaker bracket **MUST** be installed to these threaded points on the Coupler Plate. Do NOT install the bracket to any other positions on the speaker.

6) SLIDE SPEAKER WITH *SPEAKER BRACKET* ONTO *WALL BRACKET*

1 Once the wall mount has been attached to the wall and speaker mount has been attached to the speaker, loosely install the M6-L34 **PIVOT BOLT** (bolt, lock washer and flat washer on one side and flat washer, lock washer & nut on the other side) of the **WALL BRACKET**. Then slide the speaker so that the **SPEAKER BRACKET** engages into the **WALL BRACKET**, dropping the hook slot of the **SPEAKER BRACKET** onto the **PIVOT BOLT** (which will already be installed loosely in the **WALL BRACKET**), as shown in Drawing **1** .

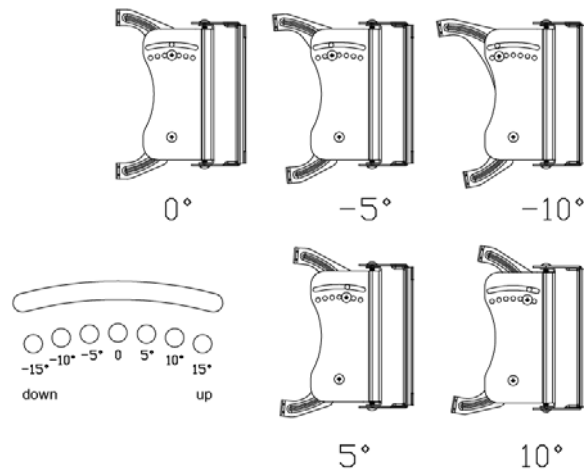


- 2) Insert the top tilt-angle bolt through the appropriate hole – one of the preset angle holes or the slot for continuous adjustment capability (see below for more information about tilt angles). Install with M6-L34 bolt, lock washer and flat washer on one side and flat washer, lock washer & nut on the other side, as shown in Drawing 2 . Make sure bolt goes through holes in **WALL BRACKET** and in **SPEAKER BRACKET**.
- 3) Final **BRACKET ASSEMBLY** is shown in Drawing 3 .

TIGHTEN THE BOLTS.

- 7) **MORE ABOUT TILT ANGLES** -- The bracket allows for +/-15 degrees of up or down tilt, however because of the height of this speaker, the end of the speaker hits the wall at any angle greater than 10 degrees.

PRE- SET ANGLES and **CONTINUOUSLY VARIABLE ANGLE** -- The bracket has through holes for mounting angles of +/- 15 degrees in 5 degree increments. There is also a slot above the set of holes for continuously variable adjustment. The pre-set angles are recommended for accurate aiming in 5 degree increments and the slot for any angle between 5 degree increments. Either can be utilized for setting the speaker's tilt angle.

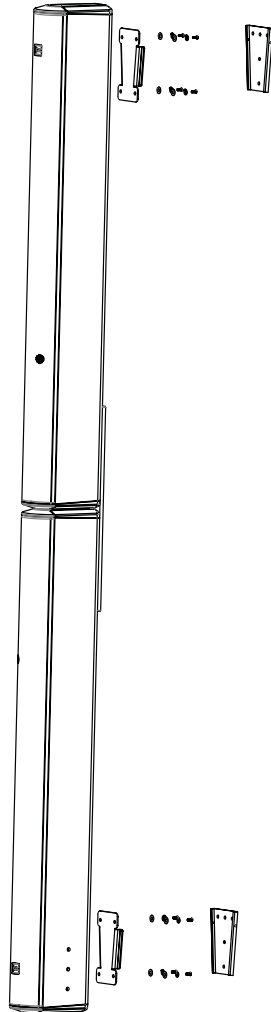


- 8) **SET THE SWIVEL (PAN) ANGLE** – Loosen the top and bottom bolts on the pivot. Adjust the side-to-side swivel (ie, pan) aiming angle of the speaker. Tighten the bolts securely.

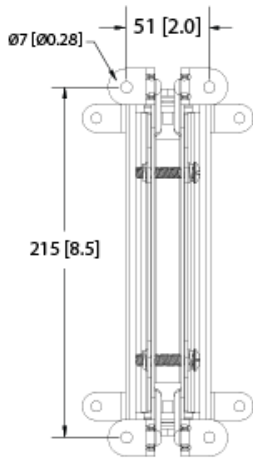
Maximum Swivel Angles before Wall Interference – The bracket swivels a full 90 degrees from side-to-side, however when mounting the CBT speaker onto a wall, the side-to-side swivel is limited by the end of the speaker encountering the wall. The maximum swivel angle depends on the up/down tilt angle setting.

- 9) **SAFETY CABLE** -- Attach a safety cable (not included) to any of the 6 mm inserts on the back of the CBT 200LA-1 cabinet using one of the extra included M6 bolts or via an M6 forged shoulder steel eyebolt. Attach the other end of the cable to a secondary attachment point on the wall.
- 10) **SWITCH COVERS** – To discourage tampering with the switch settings, adhesive switch covers are provided. Peel off the backing from the switch cover and stick the cover over the switch shaft, lining up the ridge with the recess in the switch shaft.

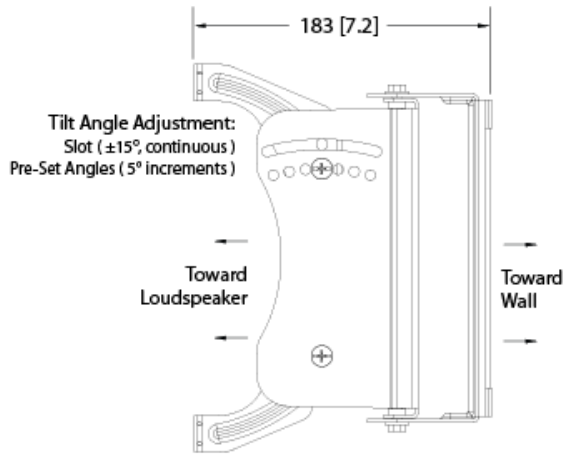
11) USING OPTIONAL MTC-CBT-FM1 FLUSH-MOUNT WALL BRACKETS – The optional MTC-CBT-FM1 brackets allow installing the speaker with its back very close to the wall. It is recommended to use two brackets – one on the top and one on the bottom – for stability.



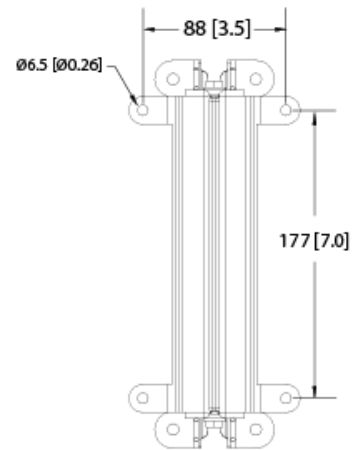
CBT 200LA-1 Bracket Dimensions



Loudspeaker-Mount
Section



Assembled Bracket



Wall-Mount
Section



JBL Professional
8500 Balboa Blvd.
Northridge, CA 91355
USA