

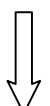
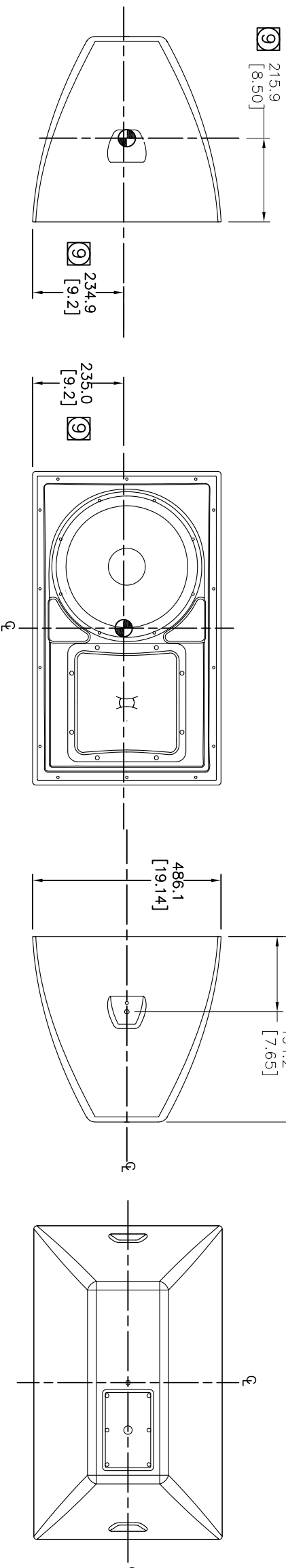
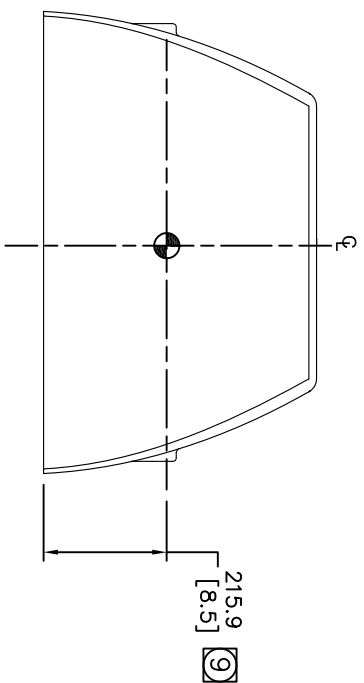
4

3

2

1

THESE DRAWINGS AND SPECIFICATIONS ARE THE PROPERTY OF JBL INCORPORATED. THEY ARE ISSUED IN STRICT CONFIDENCE AND SHALL NOT BE REPRODUCED OR USED AS THE BASIS FOR MANUFACTURE OR APPARATUS WITHOUT WRITTEN PERMISSION.		ALL MATERIAL SPECIFIED ON THIS DRAWING SHALL COMPLY WITH EUROPEAN DIRECTIVE 2002/95/EC. <b>RoHS</b>	
AW526	SALES MODEL, AW526, GRAY		
AW526-BK	SALES MODEL, AW526, BLACK		
AW566	SALES MODEL, AW566, GRAY		
AW566-BK	SALES MODEL, AW566, BLACK		
AW595	SALES MODEL, AW595, GRAY		
AW595-BK	SALES MODEL, AW595, BLACK		



⑨ INDICATED DIMENSIONS ARE TO CENTER OF GRAVITY (CG)

8. WEIGHT: 28.3 Kg (62.5 LBS).

7. SUSPENSION ATTACHMENT: 2X M10 ON SIDES FOR INCLUDED U-BRACKET, 2X M6 FOR AIMING STABILIZATION, 1X M10 ON BACK FOR SAFETY.

6. COMPONENTS: LF - 2265HPL, HF - 2432H.

5. INPUT CONNECTORS: 6 POSITION TERMINAL STRIP FOR OPERATION AT 8 OHMS, 70V/100W, 70V/200W, OR 70V/400W.

COVER PLATE INCLUDED, WITH 0.86" (22mm) DIA HOLE FOR GLAND NUT (NOT INCLUDED).

4. ENVIRONMENTAL RATING: IP56 PER IEC 529.

3. GRILLE: 3-LAYER ASSEMBLY OF 16 GA. PERFORATED SS, OPEN CELL FOAM, AND SS MESH. REMOVABLE FOR FIELD SERVICE.

2. MATERIALS: HAND-LAMINATED FIBER GLASS.

1. FINISH: GRAY GELCOAT, COLOR SIMILAR TO RAL GRAY-WHITE 9002 / PANTONE 420 C. BLACK ALSO AVAILABLE, COLOR SIMILAR TO RAL JET BLACK 9005 / PANTONE BLACK C.

NOTES: (UNLESS OTHERWISE SPECIFIED)

CHG		LTR		DESCRIPTION		DEPT		D.C		DATE		APPR	
01592	A			RELEASE TO	MARKETING	TH							

REVISIONS		DEPT		D.C		DATE		APPR	

**TOLERANCES**  
(UNLESS OTHERWISE SPECIFIED)

- XXX ± .063 INCH
- XX ± .125 INCH
- ANGULAR TOLERANCE OF 0°-30'
- FRACTIONAL DIMENSIONS ± 1/32
- DIMENSIONS ARE INCHES
- ALL DIMENSIONS ARE FINISHED DIMENSIONS
- DO NOT SCALE DRAWING

**JBL**  
JBL PROFESSIONAL  
A Harman International Company  
Northridge, California 91329 U.S.A.

TITLE  
**CUSTOMER DRAWING: AW5XX**

SIZE	DRAWING NO.	REV
A	10000054114	A
SCALE	NTS	SHEET 1 of 2

A

B

C

D

A

B

C

D

4

3

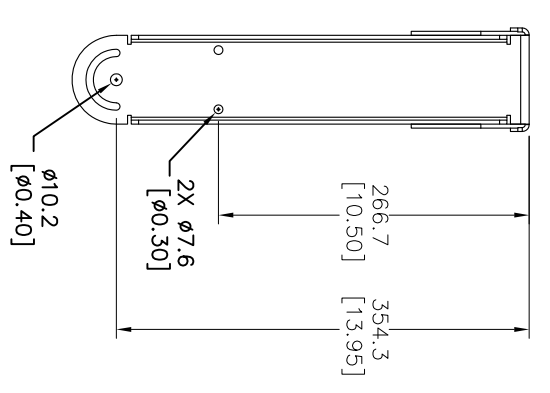
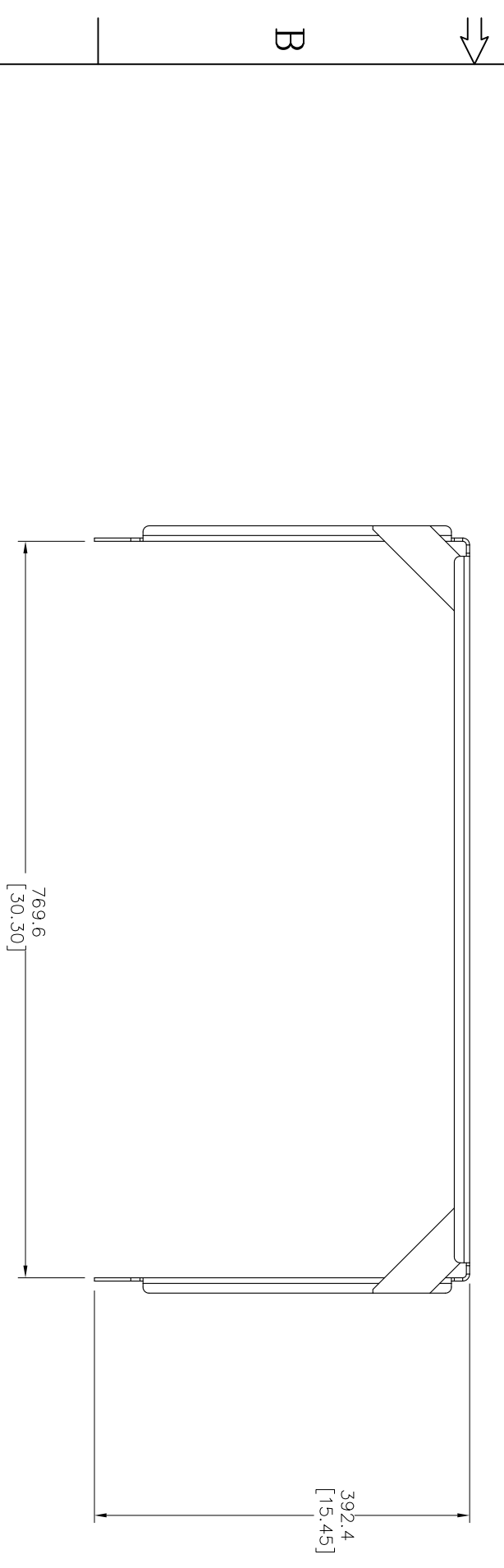
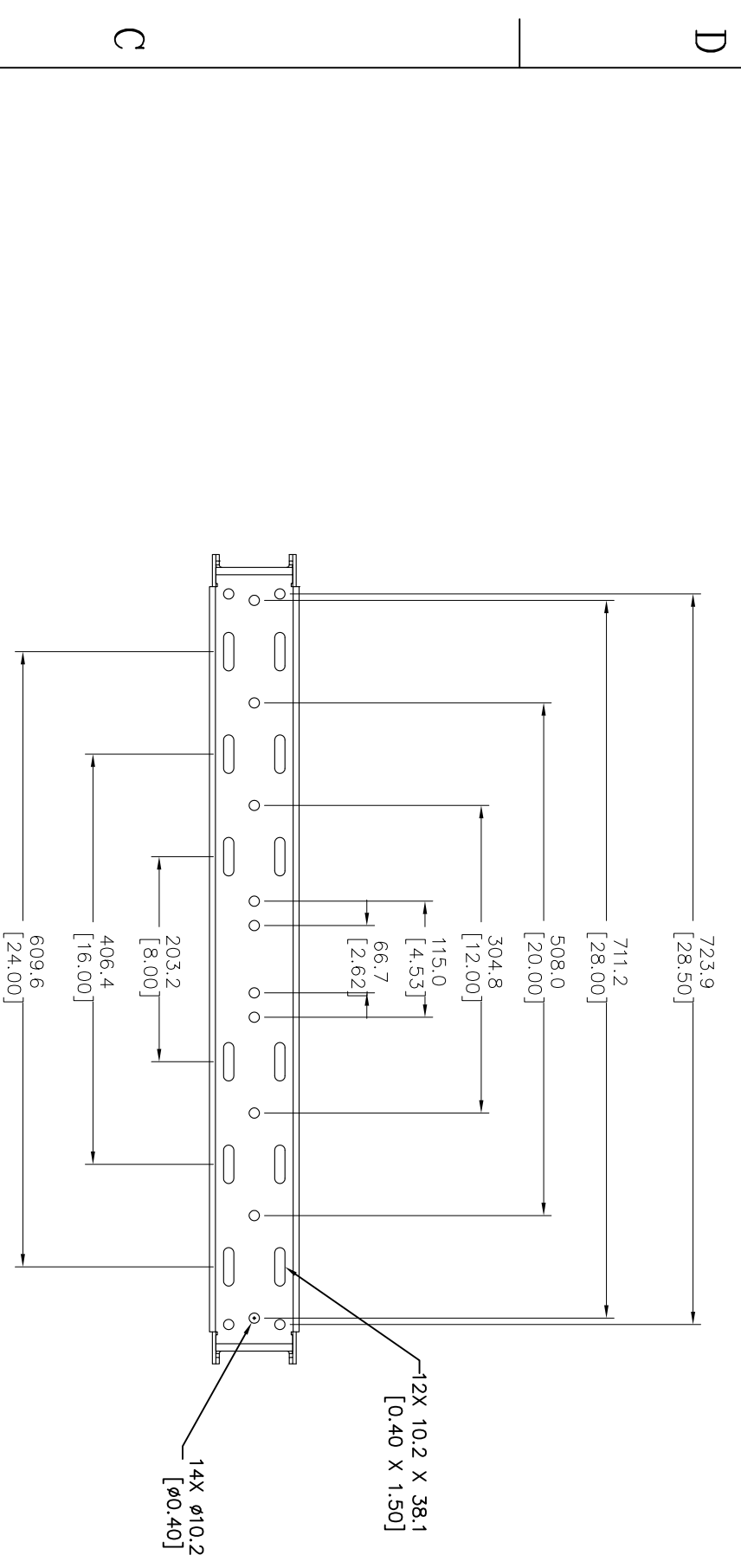
2

1

THESE DRAWINGS AND SPECIFICATIONS ARE THE PROPERTY OF JBL INCORPORATED. ALL MATERIAL SPECIFIED ON THIS DRAWING SHALL COMPLY WITH EUROPEAN DIRECTIVE 2002/95/EC. [REDACTED] THEY ARE ISSUED IN STRICT CONFIDENCE AND SHALL NOT BE REPRODUCED OR USED AS THE BASIS FOR MANUFACTURE OR APPARATUS WITHOUT WRITTEN PERMISSION.

BRACKET SCALE 2:1

REVISIONS						
CHG	LTR	DESCRIPTION	DWFT	D/C	DATE	APPR



NOTES: (UNLESS OTHERWISE SPECIFIED)

A

B

C

D

A

B

C

D

**JBL**  
**JBL PROFESSIONAL**  
 A Harman International Company  
 Northridge, California 91329 U.S.A.

TITLE  
**CUSTOMER DRAWING: AW5XX**

SIZE **A** DRAWING NO. **1000054114** REV **A**

SCALE NTS SHEET 2 OF 2